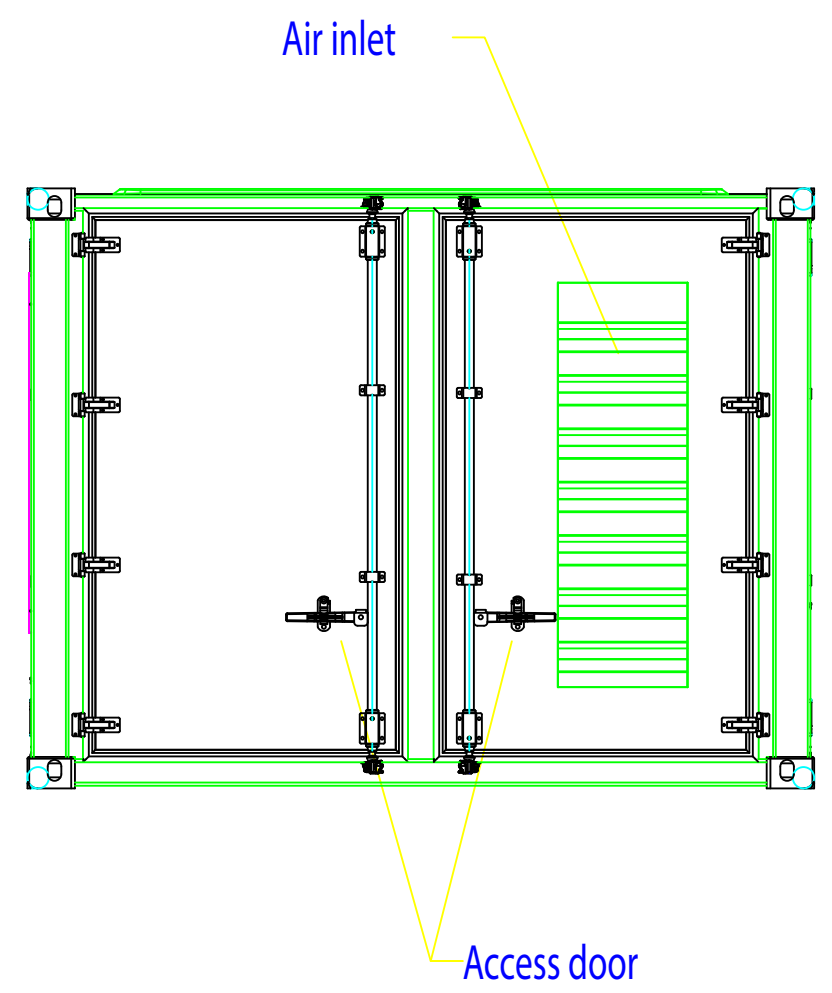
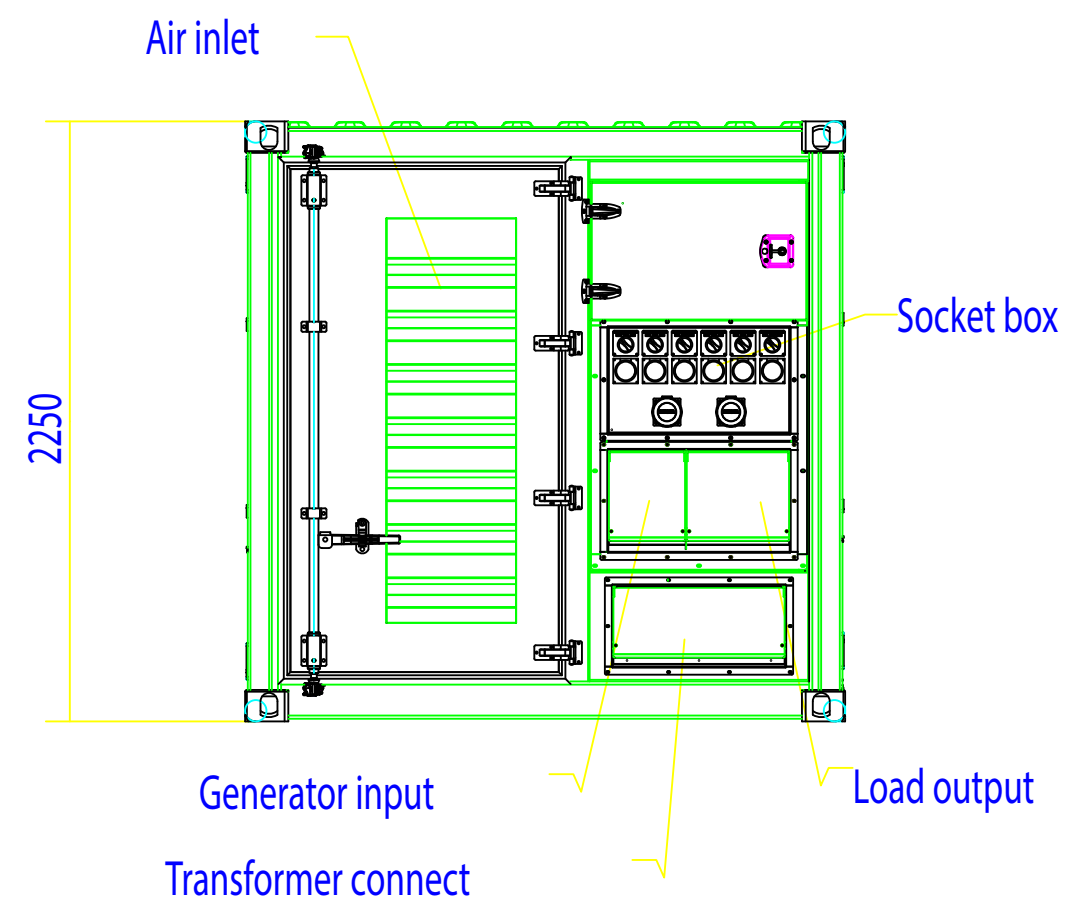
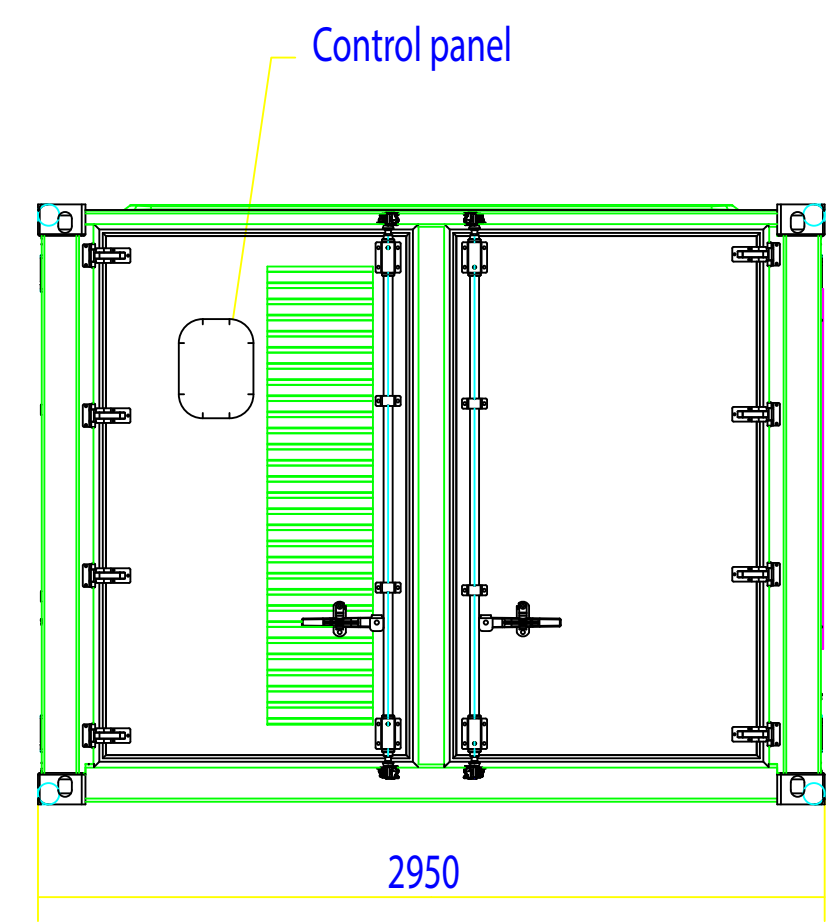
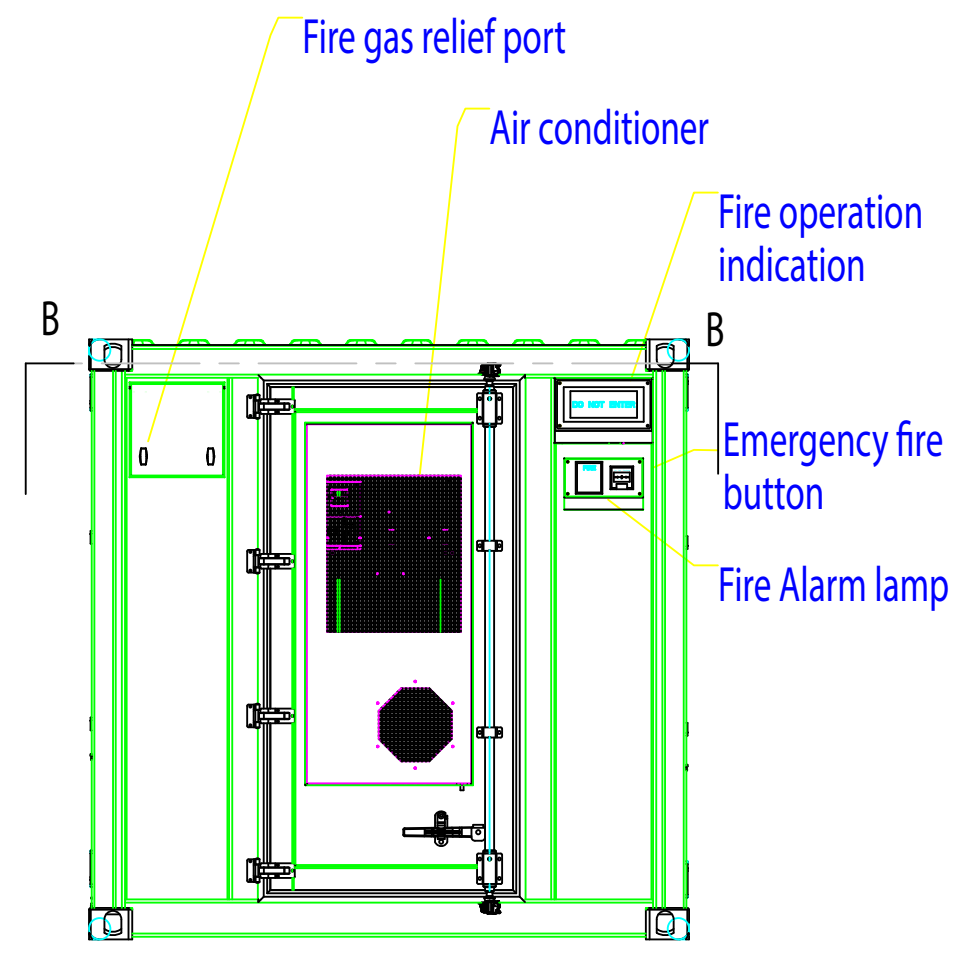


1 2 3 4 5 6 7 8

A

A

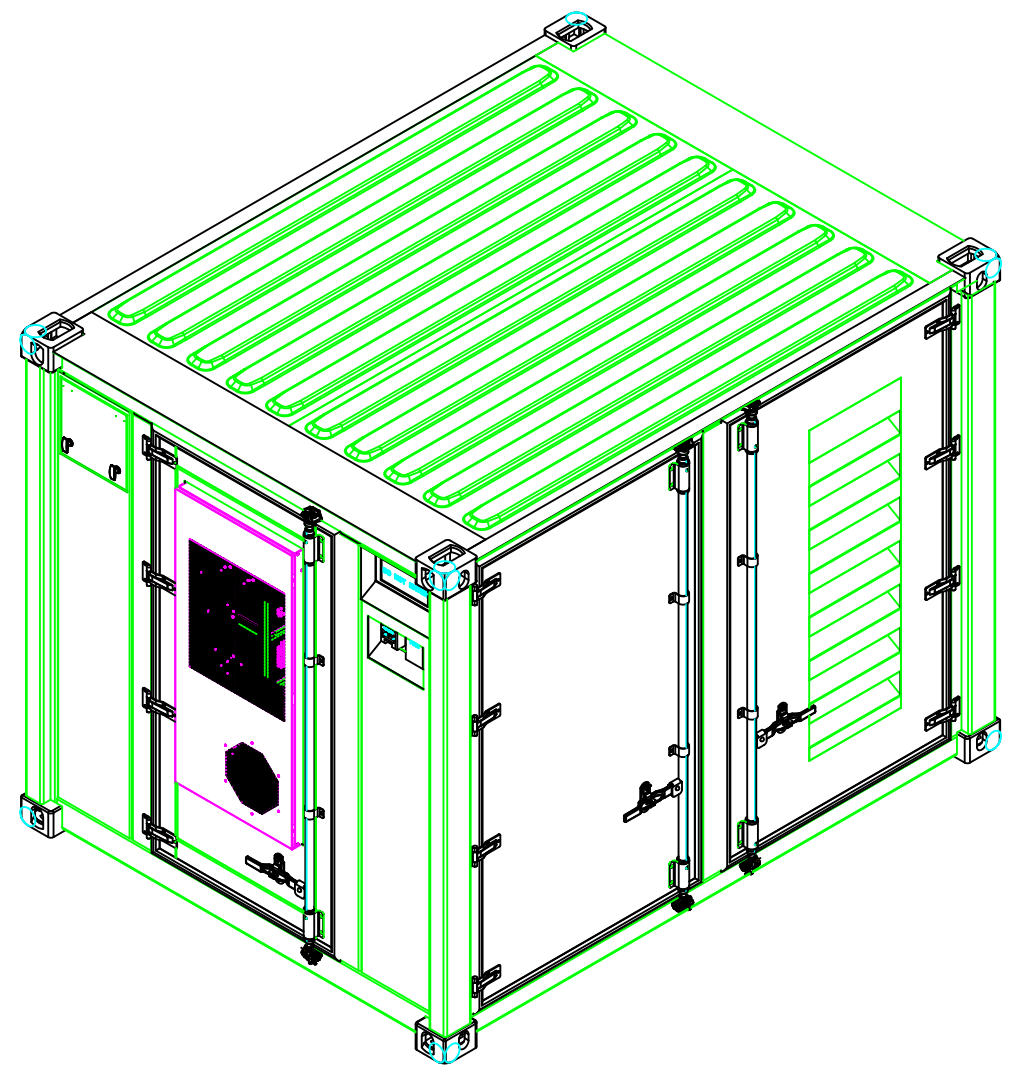
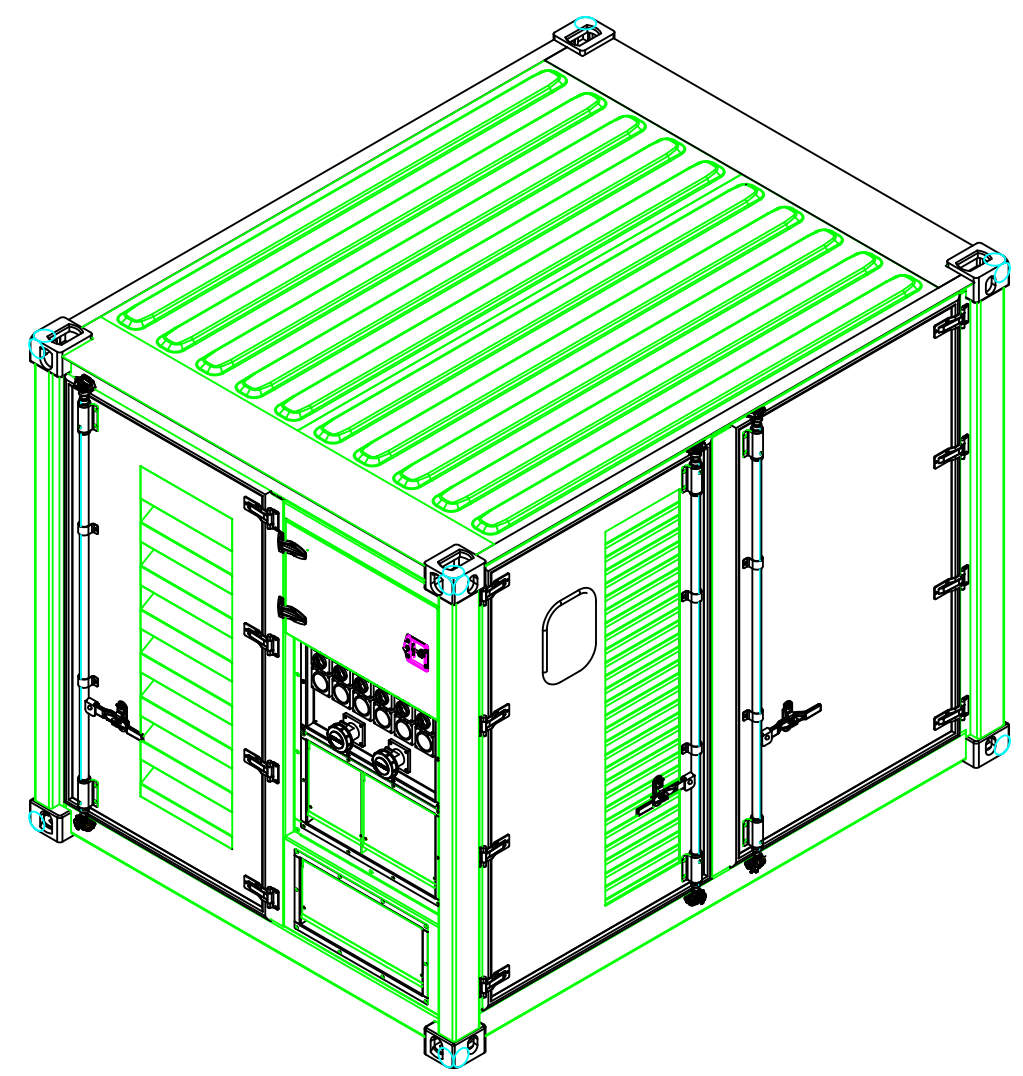
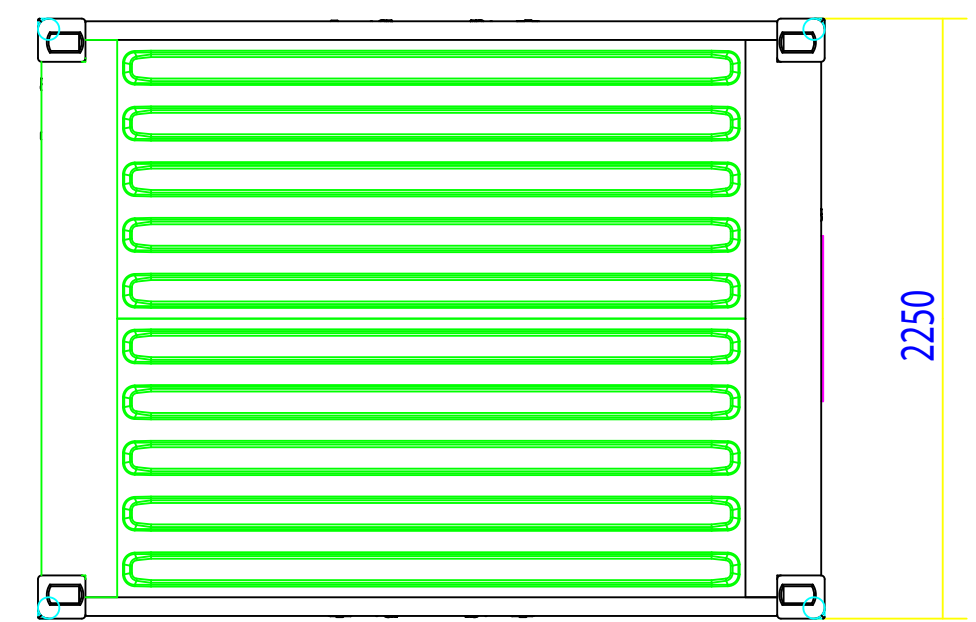
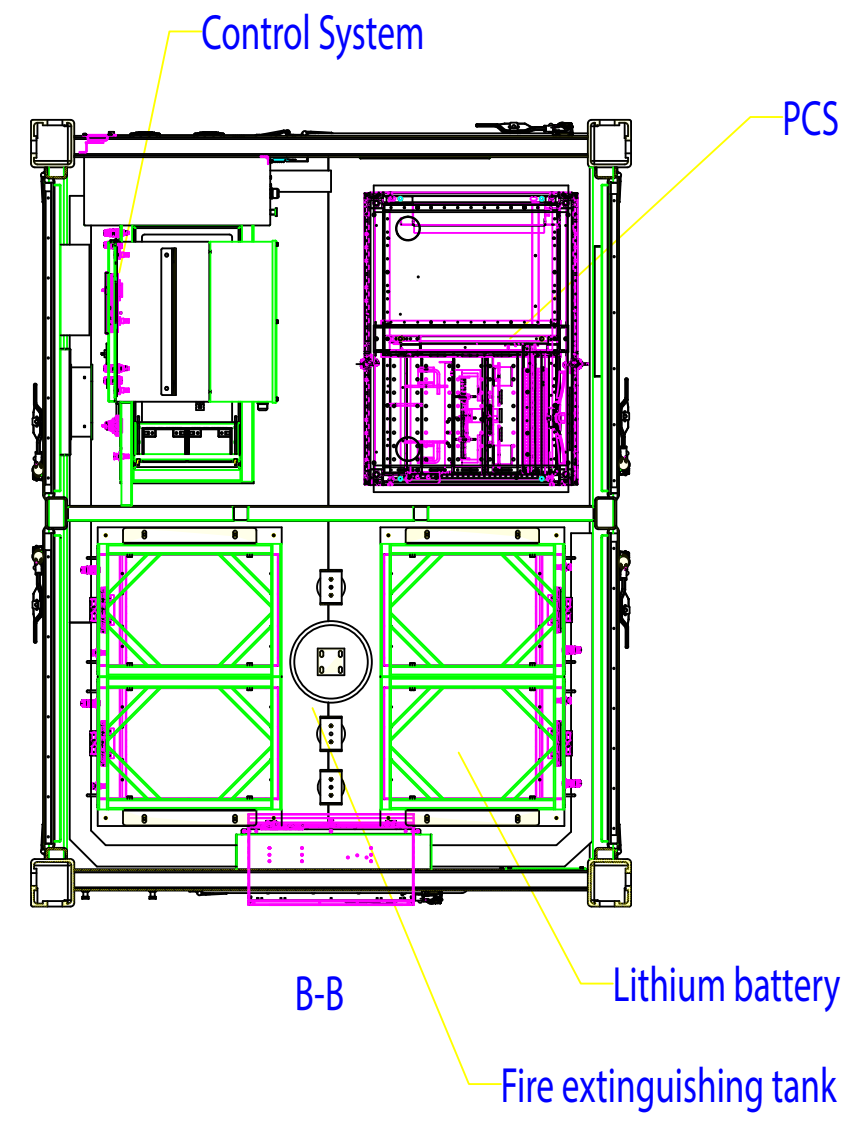


B

B

C

C



D

D

E

E

PC-250-400	3P/400V	400 KWH	250 KW	ASM-T6N800-ASC150-T	6673	2950*2250*2250
Model	Phase/Voltage	Battery capacity	AC power	Control system	Dry weight (kg)	Formal dimension (mm)

X<500mm	1mm	Item	Name	Date	Item	Name	Date	Material	Model	PC-250-400	 MYNT GROUP www.myntgroup.com.au	
X<2000mm	2mm	Designer	GU	20230301	Craftwork			Weight	6672.82kg	Name		BESS OUTLINE DRAWING
X>2000mm	3mm	Proofread	ZHU		Standardization			Proportion	1:60	Drg.No		1001130026
X~	1~	Checked	DU		Approved			Edition	A	Sheet		1 1

1 2 3 4 5 6 7 8

F

F