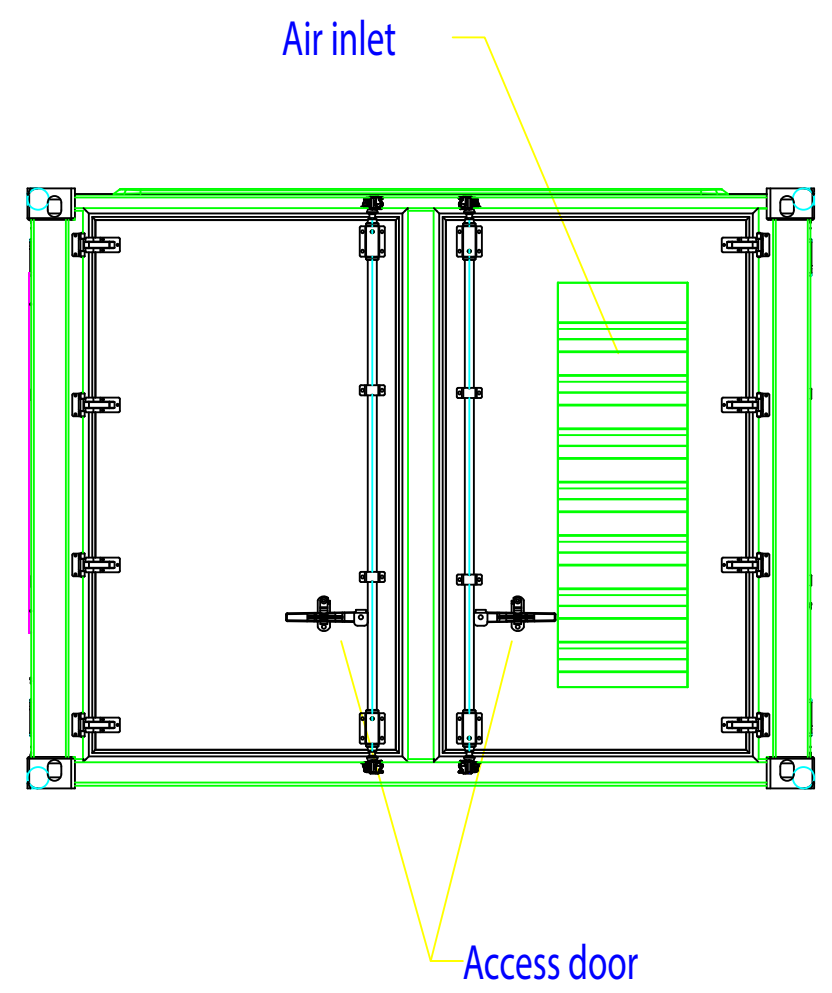
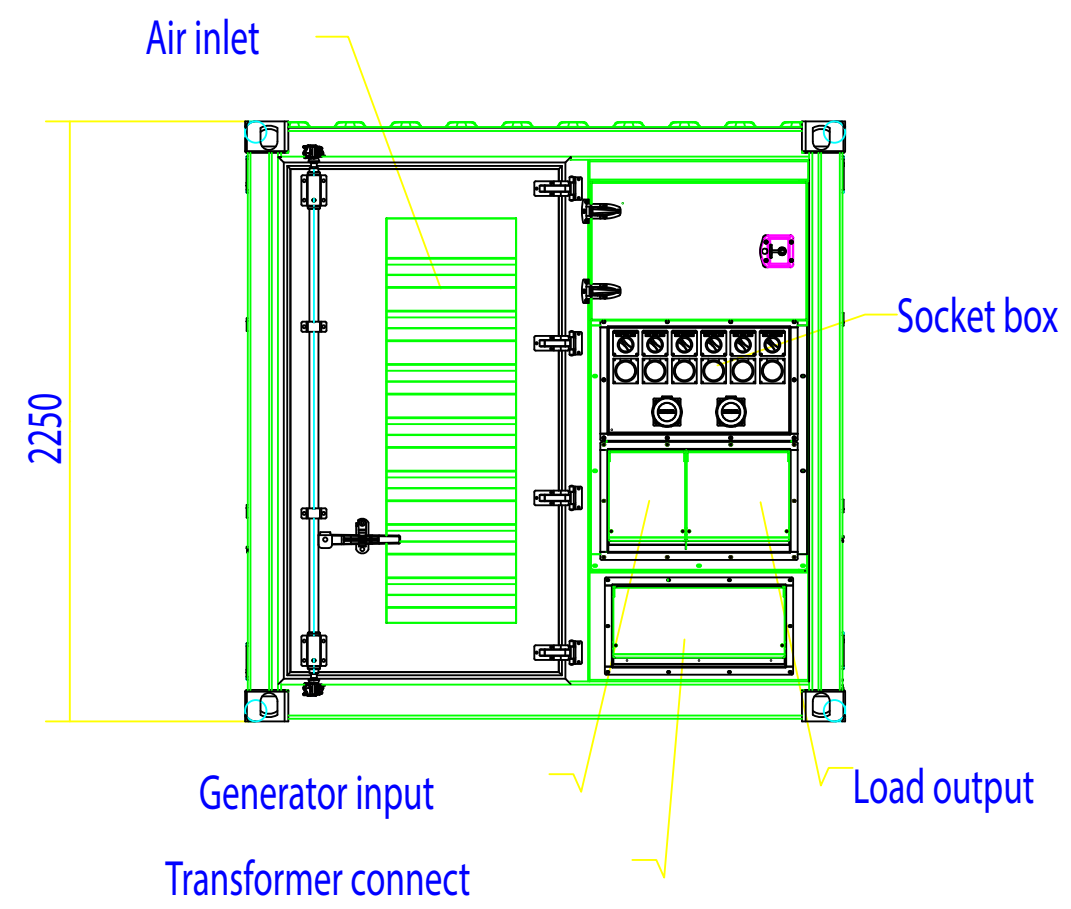
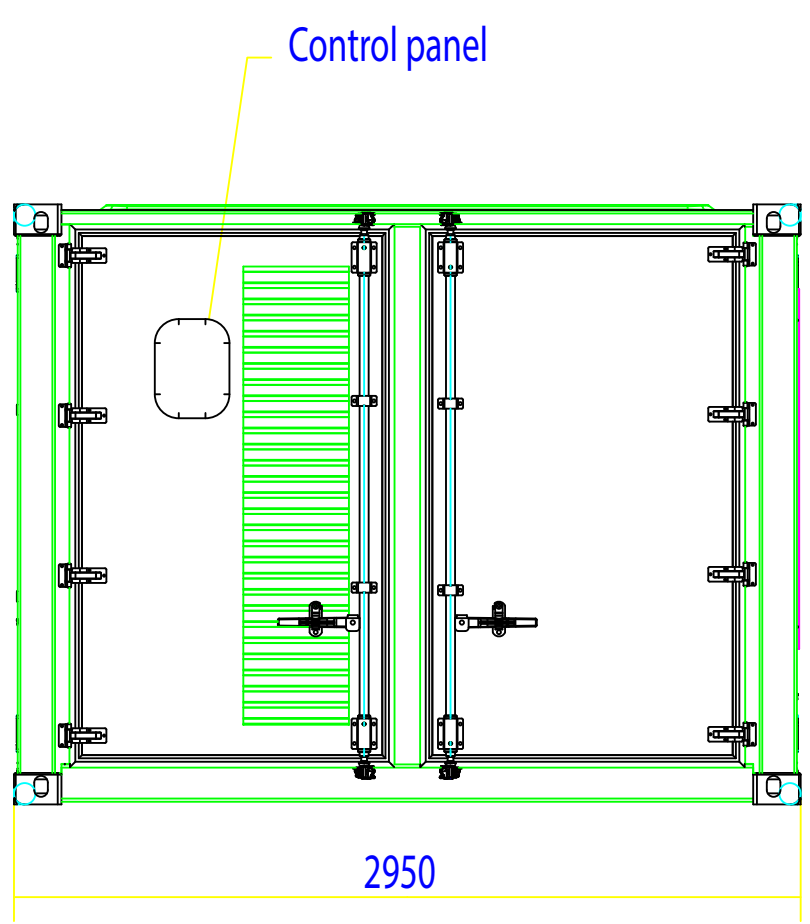
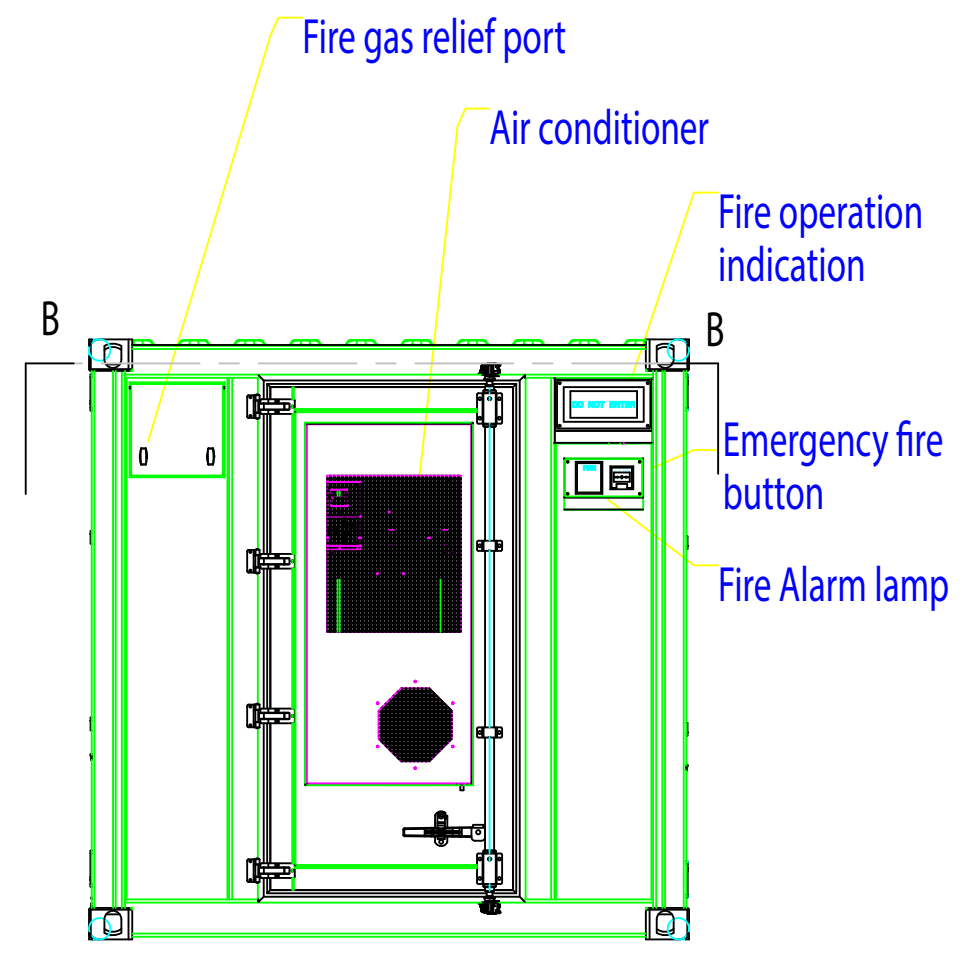


1 2 3 4 5 6 7 8

A

A

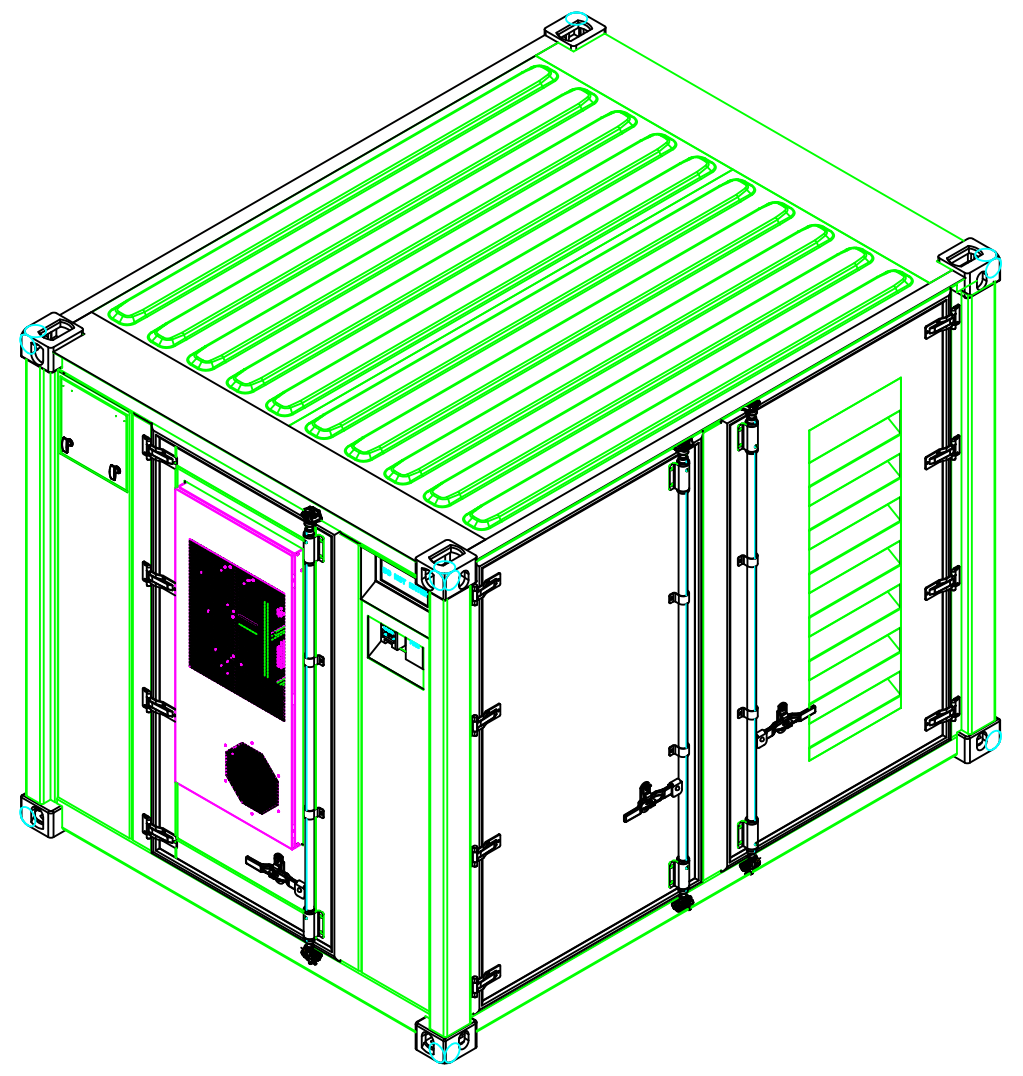
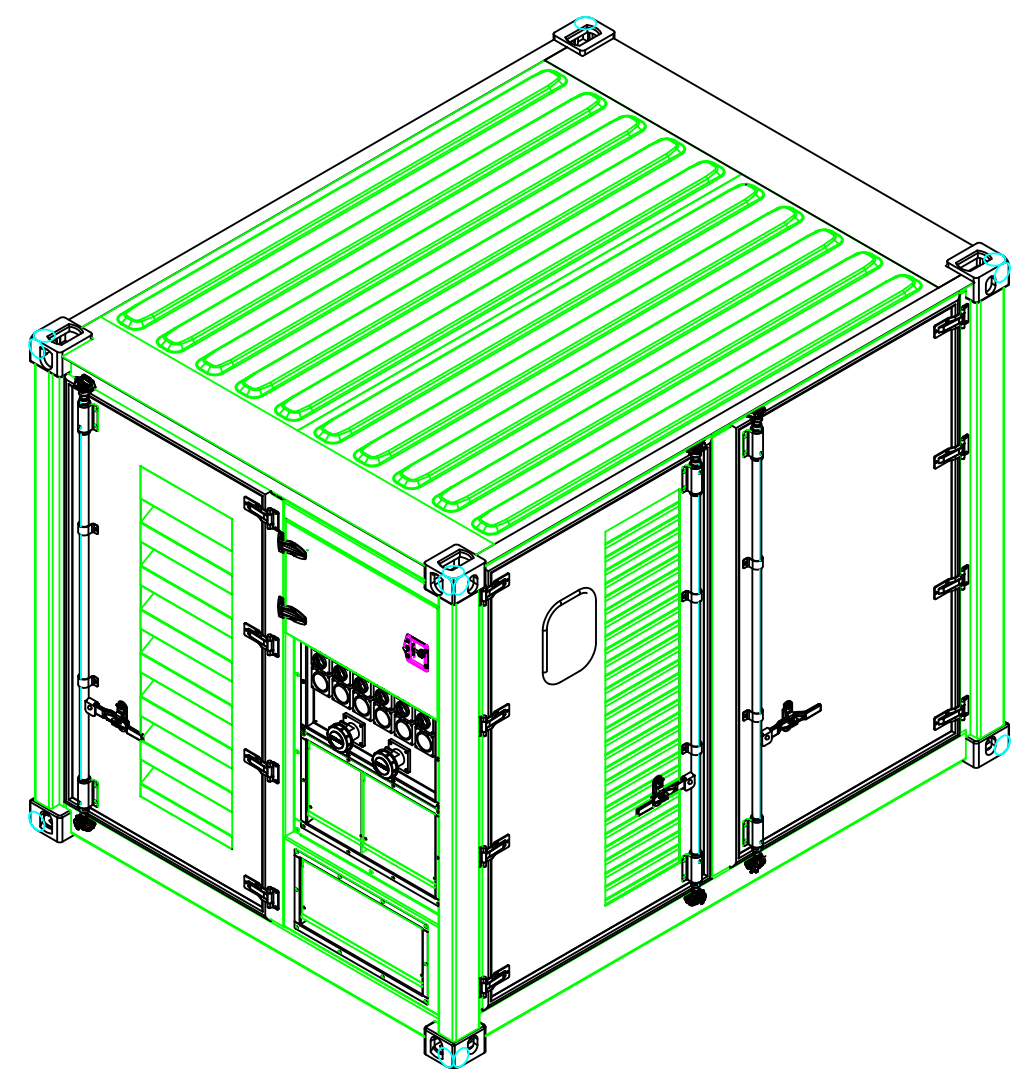
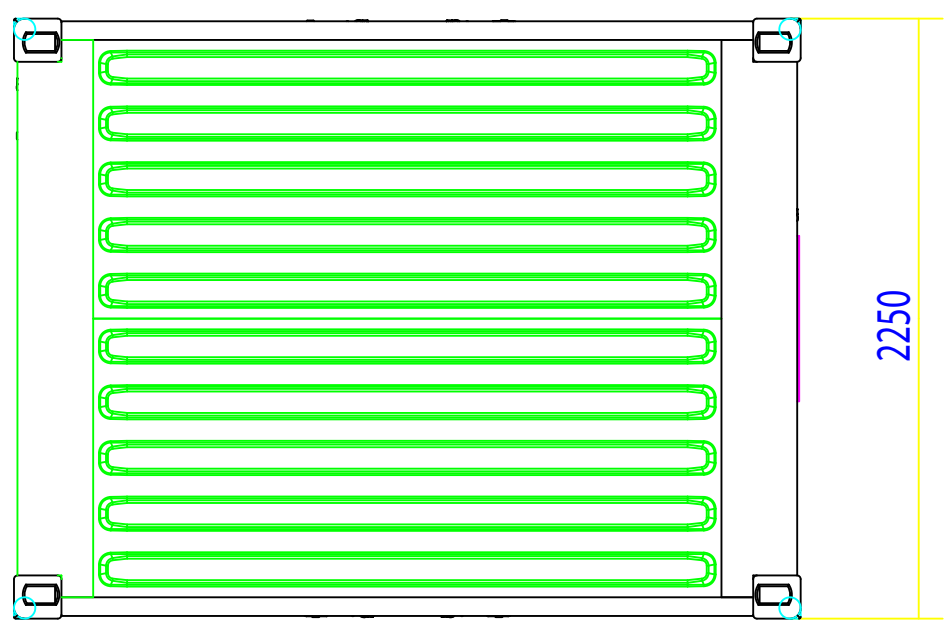
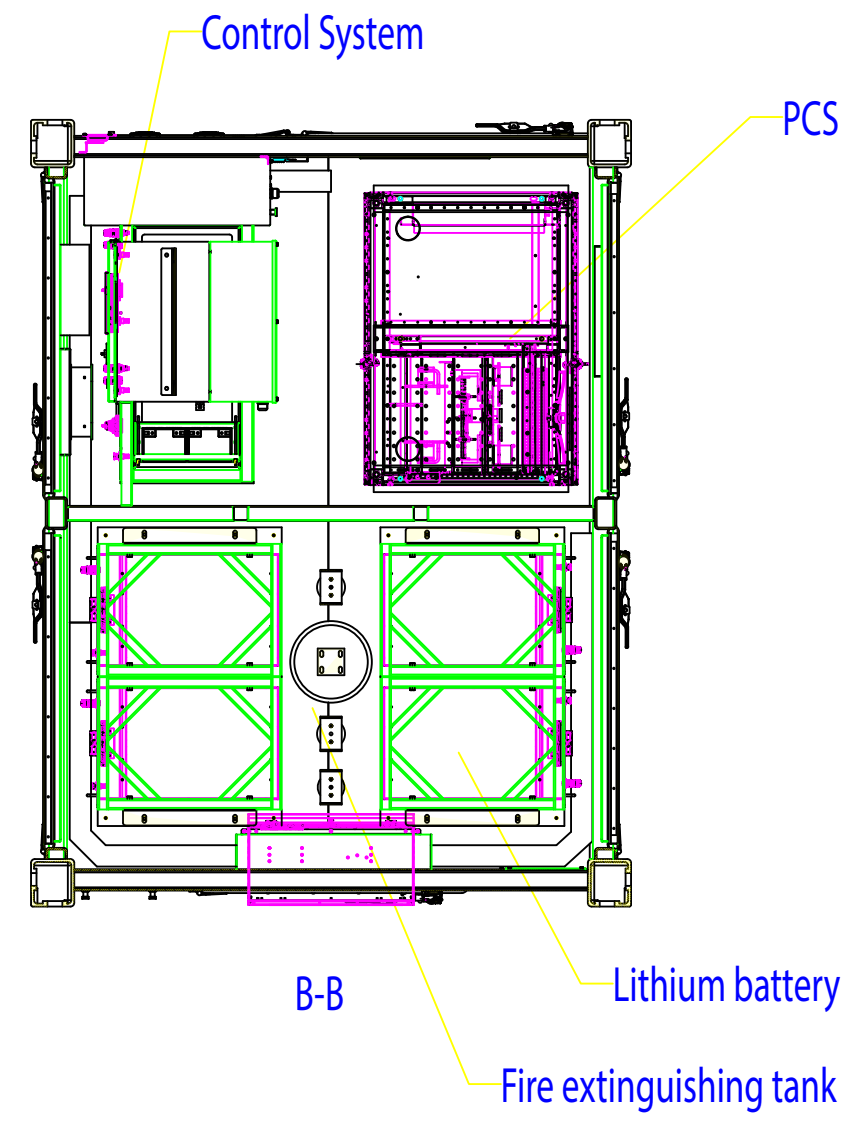


B

B

C

C



D

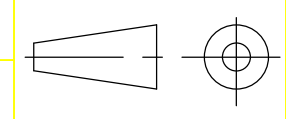
D

E

E

PC-100-200	3P/400V	200 KWH	100 KW	ASM-T6N800-ASC150-T	6673	2950*2250*2250
Model	Phase/Voltage	Battery capacity	AC power	Control system	Dry weight (kg)	Formal dimension (mm)

X<500mm	1mm	Item	Name	Date	Item	Name	Date	Material	Model	PC-250-400
X<2000mm	2mm	Designer	GU	20230301	Craftwork			Weight	Name	BESS OUTLINE DRAWING
X>2000mm	3mm	Proofread	ZHU		Standardization			Proportion	Drg.No	1001130026
X~	1~	Checked	DU		Approved			Edition	Sheet	1 1



MYNT GROUP
www.myntgroup.com.au

1 2 3 4 5 6 7 8

F

F