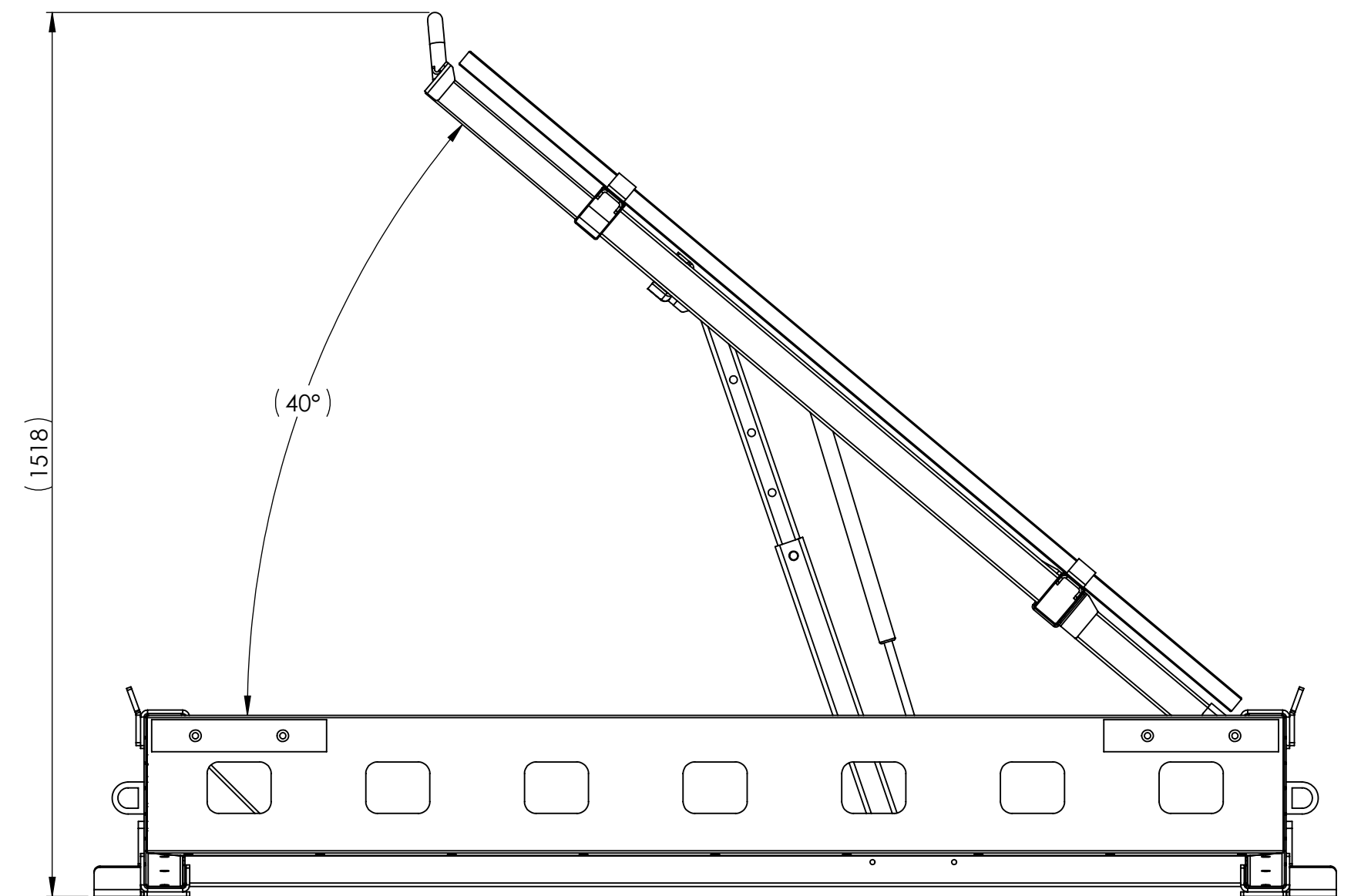
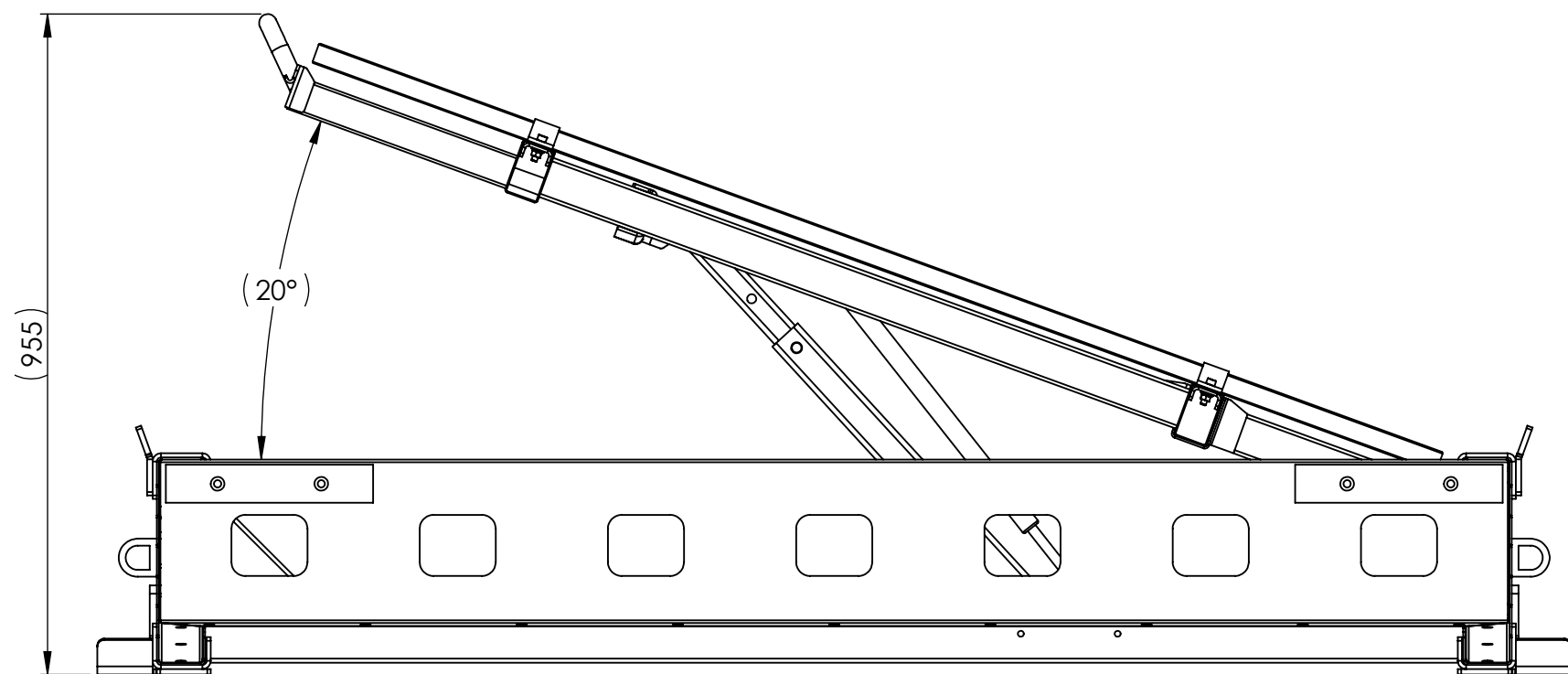
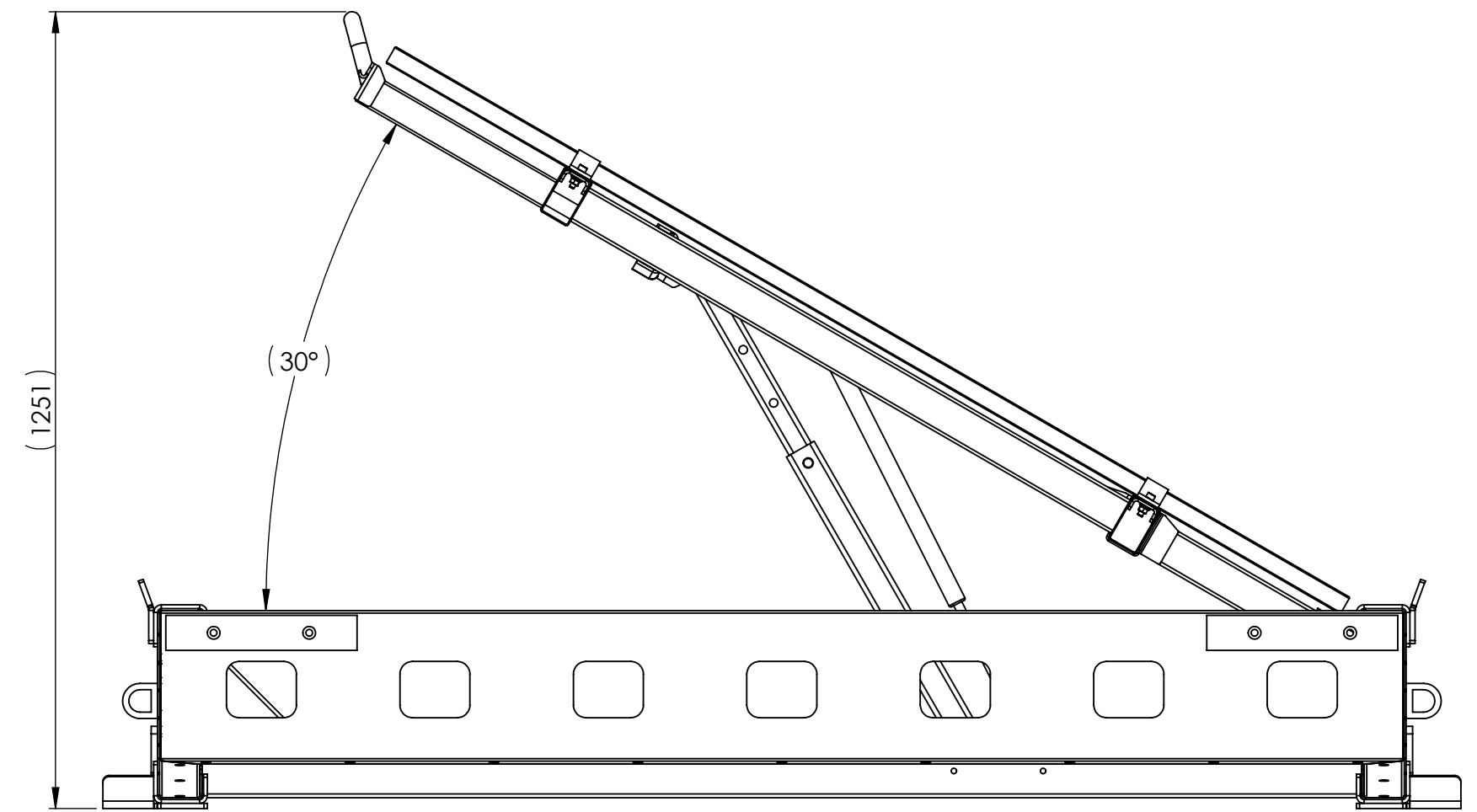
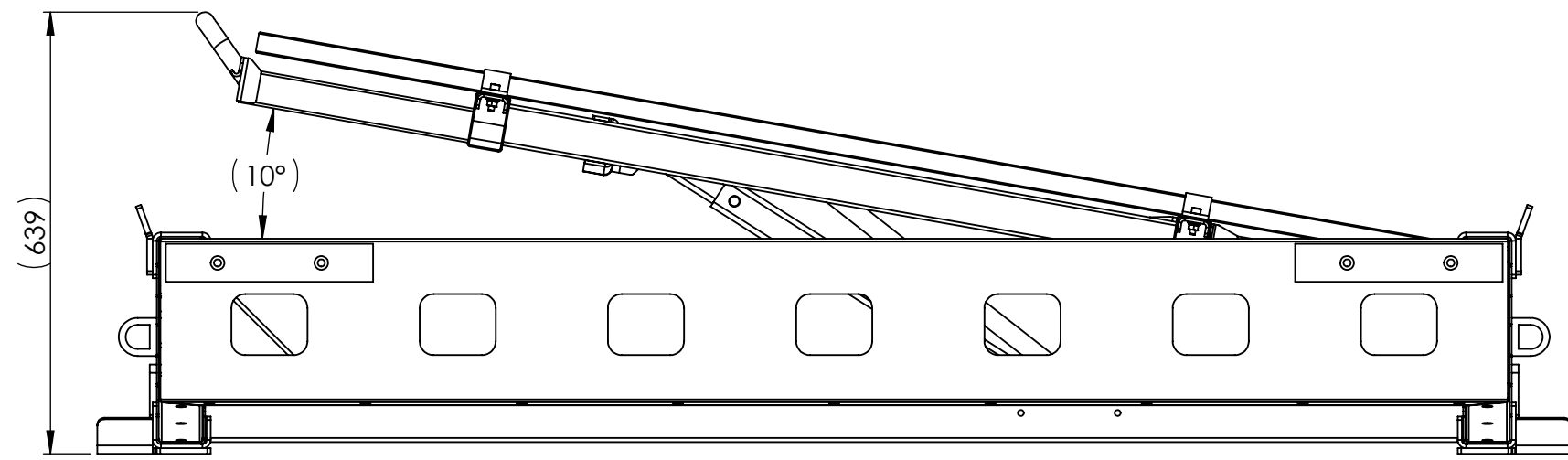


NOTES:
 1. REFER TO SHEET 2 FOR APPROXIMATE HEIGHT IN DEPLOYED POSITIONS.

UNLESS OTHERWISE STATED ALL DIMENSIONS ARE IN MILLIMETRES WITH THE FOLLOWING TOLERANCES: LINEAR TO 100: ± 1mm LINEAR 100 TO 500: ± 2mm LINEAR OVER 500: ± 3mm HOLES AND SLOTS: ± 0.2mm ANGLES: ± 0.5°		MATERIAL: NA	DESCRIPTION				
		FINISH: NA	PS1 - GENERAL ASSEMBLY				
		MASS: NA g					
		DRAWN: I Drapier	DATE: 15/03/2024				
⊕	SCALE 1:10	SIZE A2	mynto first element	DWG NO	REV	SHEET	OF
				MP-0021	P01	1	2

P01	PROVISIONAL ONLY	ID	8/07/2024
ISSUE	DESCRIPTION	INITIAL	DATE
REVISIONS			



UNLESS OTHERWISE STATED ALL DIMENSIONS ARE IN MILLIMETRES WITH THE FOLLOWING TOLERANCES: LINEAR TO 100: ± 1mm LINEAR 100 TO 500: ± 2mm LINEAR OVER 500: ± 3mm HOLES AND SLOTS: ± 0.2mm ANGLES: ± 0.5°		MATERIAL: NA	DESCRIPTION PS1 - GENERAL ASSEMBLY				
		FINISH: NA					
		MASS: NA g					
		DRAWN: I Drapier	DATE: 15/03/2024				
⊕	SCALE 1:10	SIZE A3	mynto first element	DWG NO	REV	SHEET	OF
				MP-0021	P01	2	2